



**AC-PRO30S/36S**

## **Installation / User Manual**

抽油煙機使用說明書 —RANGE HOOD—

Warning.....	1
Installation .....	2/3/4/5/6/7
Operation .....	8
Cleaning .....	9
Maintenance .....	10
Install Snap-lock Wire Connector .....	11
Others .....	12
安裝守則.....	13
功能簡介.....	14
自動清洗功能說明 .....	15
安裝微動開關 .....	16
保養與清潔.....	17

## WARNING

**1. WARNING-TO REDUCE THE RISK OF FIRE, ELECTRIC SHOCK, OR INJURY TO PERSONS, OBSERVE THE FOLLOWING:**

- a.) Use this unit only in the manner intended by the manufacturer ,If you have questions, contact the manufacturer.
- b.) Before servicing or cleaning unit, switch power off at service panel and lock service panel to prevent power from being switched on accidentally. When the service disconnecting means cannot be locked, securely fasten a prominent warning device such as a tag. To the service panel.
- c.) Installation work and electrical wiring must be done by qualified person(s) in accordance with all applicable codes and standards , Including Fire-Rated construction .
- d.) Sufficient air needed proper combustion and exhausting of gases through the flue (chimney) of fuel burning equipment to prevent back drafting. Follow the heating equipment manufacturer's guideline and safety standards such as those published by the national Fire Protection Association (NFPA), and the American Society for Heating Refrigeration and Air Conditioning Engineers (ASHRAE), and the local code authorities.
- e.) When cutting or drilling into wall or ceiling , do not damage electrical wiring and other hidden utilities .
- f.) Dusted fans must always be vented to the outdoors.
- g.) If this unit is to be installed over a tub or a shower , it must be marked as appropriate for the application and be connected to a GFCL (Ground Fault Interrupter protected branch circuit.
- h.) NEVER place a switch where it can be reached from a tub or shower.
- i.) **WARNING-TO REDUCE THE RISK OF FIRE, USE ONLY METAL DUCT WORK.**
- j.) Make sure the power is off before installing, wiring or maintenance.

**2. "CAUTION"-For general ventilating use only. Do not use to exhaust hazardous or explosive materials and vapors.**

**3. WARNING-TO REDUCE THE RISK OF A RANGE TOP GREASE FIRE:**

- a.) Never leave surface units unattended at high settings. Boilovers cause smoking and greasy spillovers that may ignite, Heat oils slowly on low or medium settings.
- b.) Always turn hood on when cooking at high heat or when cooking flaming foods.
- c.) Clean ventilating fans frequently. Grease should not be allowed to accumulate on fan or filter.
- d.) Use proper pan size. Always use cookware appropriate for the size of the surface element.
- e.) Keep fan, filters and grease laden surface clean.
- f.) Use high hood setting on hood only when necessary.
- g.) Don't leave hood unattended when cooking.
- h.) Always use cookware and utensils appropriate for the type and amount of food being prepared.
- i.) To get the best performance, the vertical clearance between the cook-top and the range hood should range from 26" to 30".

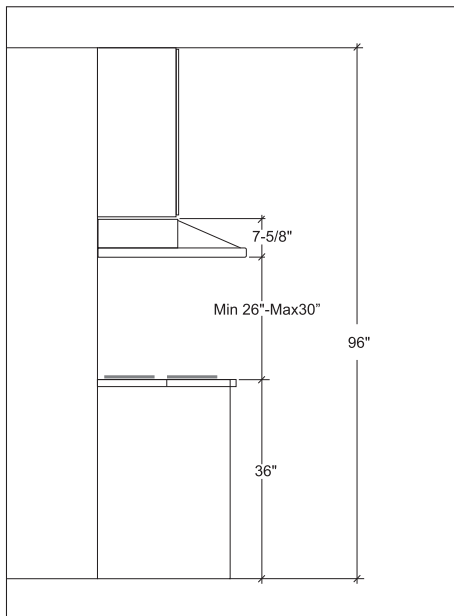
**4. WARNING-TO REDUCE THE RISK OF INJURY TO PERSONS IN THE EVENT OF A RANGE TOP GREASE FIRE ,OBSERVE THE FOLLOWING<sup>a</sup>:**

- a.) **SMOTHER FLAMES** with a close-fitting lid, cookie sheet, or metal tray, then turn off the burner, **BE CAREFUL TO PREVENT BURNS.** If the flames do not go out immediately, **EVACUATE AND CALL THE FIRE DEPARTMENT.**
- b.) **NEVER PICK UP A FLAMING PAN-You may be burned.**
- c.) **DO NOT USE WATER,** including wet dishcloths or towels a violent steam explosion will result.
- d.) Use an extinguisher only if:
  1. You know you have a class ABC extinguisher, and you already know how to operate it.
  2. The fire is small and contained in the area where it started.
3. The fire department is being called.
4. You can fight the fire with your back to an exit.
- e.) **"WARNING-TO Reduced The Risk Of Fire Or Electric Shock, Do Not Use This Fan With Any Solid-State Speed Control Device".**

<sup>a</sup>Based on "Kitchen Fire Safety Tips" published by NFPA.

# INSTALLATION

## MOUNT HEIGHTS



Minimum mount height between range top to hood bottom should be no less than 26".

Maximum mount height should be no higher than 30".

It is important to install the hood at the proper mounting height. Hoods mounted too low could result in heat damage and fire hazard; while hoods mounted too high will be hard to reach and will lose its performance and efficiency.

If available, also refer range manufacturer's height clearance requirements and recommended hood mounting height above range.

## DUCTING

A minimum of 6" round or 3-1/4" x 10" rectangular duct must be used to maintain maximum air flow efficiency.

Always use rigid type metal ducts only. Flexible ducts could restrict air flow by up to 50%.

Also use calculation (on right) to compute total available duct run when using elbows, transitions and caps.

ALWAYS, when possible, reduce the number or transitions and turns. If long duct run is required, increase duct size from 6" to 7" or 8". If a reducer is used, install a long reducer instead of a pancake reducer. Reduce duct size as far away from opening as possible.

If turns or transitions are required: Install as far away from opening and as far apart, between 2', as possible.

Minimum Duct Size:

Round:  
6" minimum  
Rectangular:  
3-1/4" x 10"

Duct Run Calculation:

Maximum run

6" or 3-1/4" x 10" duct	100 FT
<b>Deduct:</b>	
each 90° Elbow used	15 FT
each 45° elbow used	9 FT
each 6" to 3/4 x 10" transition used	1 FT
each 3/4 x 10" to 6"	
each 3/4 x 10" to 6" transition used	5 FT
Side Wall Cap w/ damper	30 FT
Roof Cap	30 FT

e.g. - 1 roof cap, 2x90° elbows, 1 x 45° elbow used:  
= 30' + 30' + 9' = 69' used 31' available for straight duct runs.

## INSTALLATION

### WARNING FIRE HAZARD

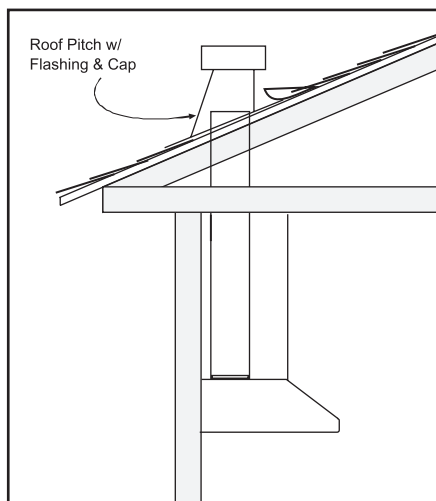
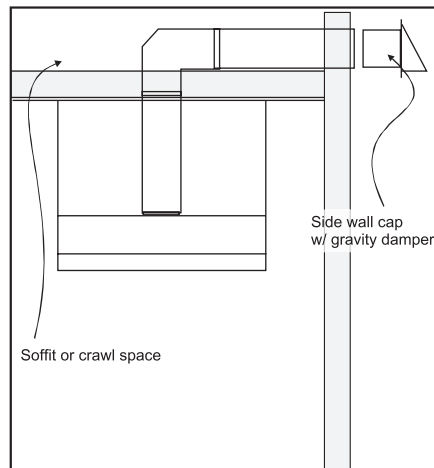
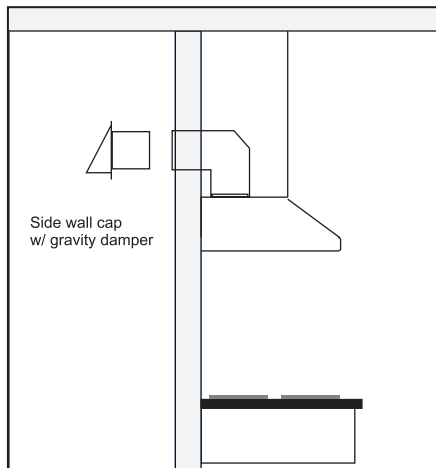
NEVER exhaust air or terminate duct work into spaces between walls, crawl spaces, ceiling, attics or garages.

All exhaust must be ducted to the outside.

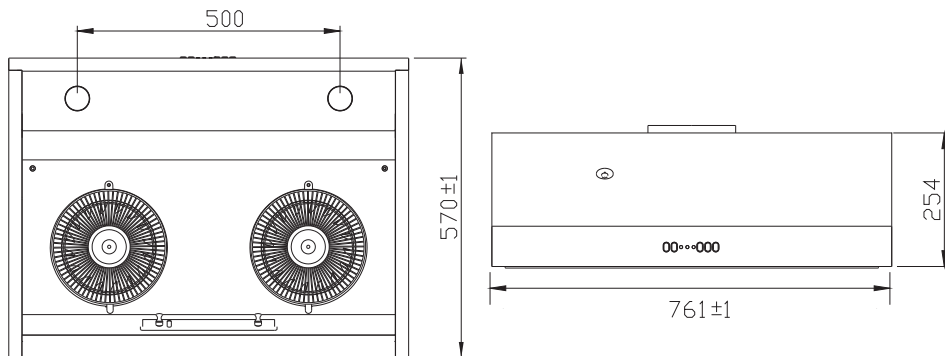
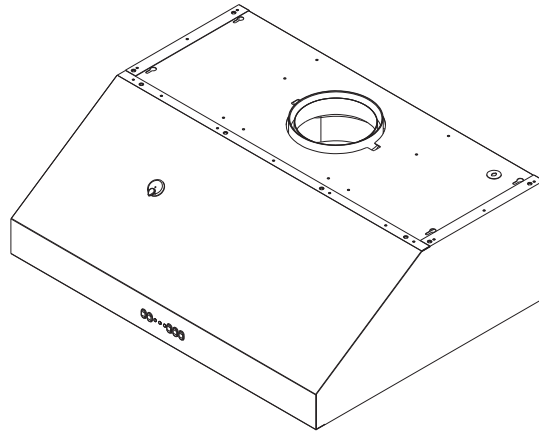
Use metal ductwork only.

Fasten all connections with sheet metal screws and tape all joints with certified SilverTape or Duct Tape.

### Some Ducting Options



# INSTALLATION



## INSTALLATION

### ELECTRICAL

#### **WARNING**

All Electrical work must be performed by qualified electrician or person with similar technical know how and background.

For personal safety, remove house fuse or open circuit breaker before beginning installation. Do not use extension cord or adapter plug with this appliance.

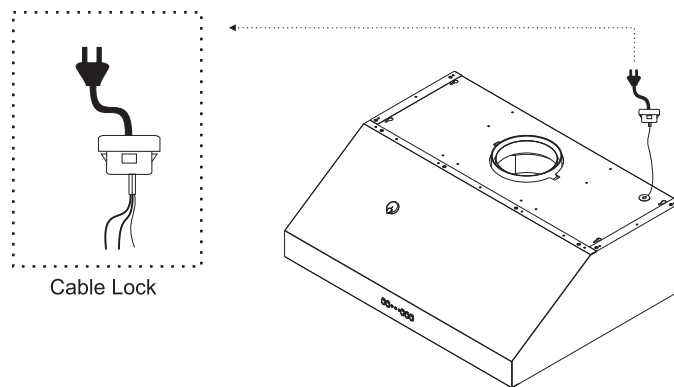
Follow national electrical codes or prevailing local codes and ordinances.

#### Electrical Supply:

This appliance requires a 120V 60Hz electrical supply, and connected to an individual, properly grounded branch circuit, protected by a 15 or 20 ampere circuit breaker or time delay fuse. Wiring must be 2 wire w/ ground. Please also refer Electrical Diagram labeled on product.

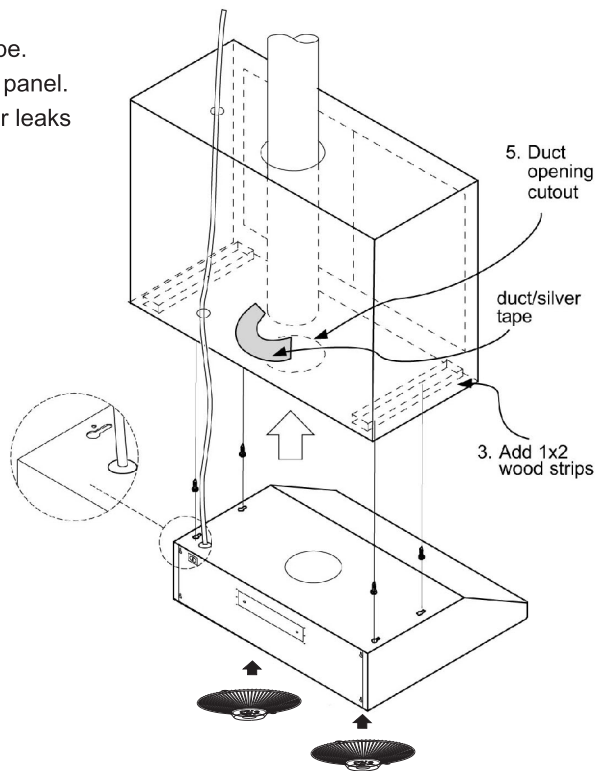
#### Cable Lock:

A cable locking connector (not supplied) might also be required by local codes. Check with local requirements and codes, purchase and install appropriate connector if necessary.



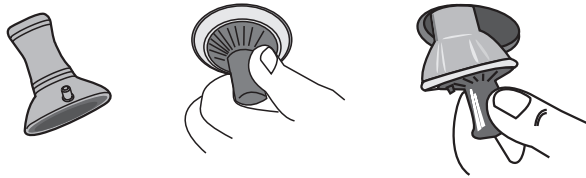
## INSTALLATION

1. This range hood is mounted under a kitchen cabinet unit.
2. Select preferred duct location on rear or top of unit.
3. Begin installation by temporarily unscrewing and removing the bottom splash panel.
4. Reinforce cabinet base with 1x2 wood strips if additional strengthening is required.
5. Temporarily position the range hood in the desired mounting location. Measure and mark the mounting holes, duct and electrical access locations with a pencil.
6. Drill/cut out the required openings for duct and electrical access; make sure the duct opening is large enough to apply duct tape.
7. Fasten hood onto cabinet with screws and washers provided.
8. Install electrical.
9. Install duct work and duct-tape.
10. Reinstall the bottom splash panel.
11. Power-up hood and check for leaks around duct-tape.

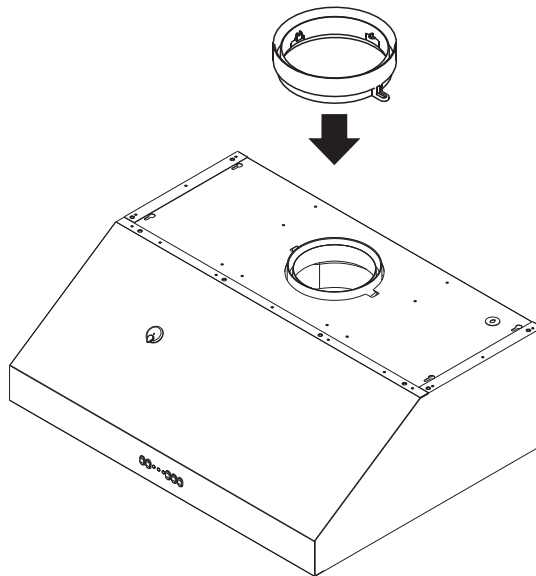


## INSTALLATION

The black rubber suction tool in the installation package. It is for easier to remove the halogen light bulb.



Install the round plastic collar on top of the hood.

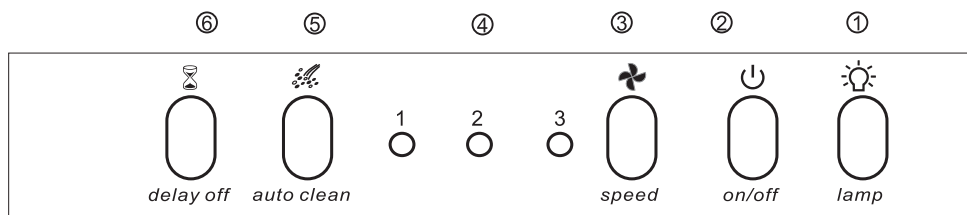









## OPERATION

### Features:

- One touch automatic internal cleaning function (in 38 seconds).
- Three way of fan speed adjustment which improves the cooking performance.
- 2 way lightness adjustment
- Automatic Delay Off options, remove smoke in great effort.
- Auto notice pop up without washing in past 30 hours.
- Notification of water removal once the auto cleaning was performed more than twice.



1. Press "  " light button: On (bright) Dim Off.
2. Press "  " On/Off button.
3. Press "  " Speed setting button.
4. LED Indicator:
  - a. Speed indicator
  - b. Low Auto Clean reservoir indicator (all LED on) Refilling alert
  - c. 30-hour cleaning alert (all LED flashes) Alert to clean the hood after 30 hours of use to prevent oil accumulation.
  - d. Once three LED lamp is displayed when two washing process was performed, please remove the water inside and press clean key remain 2 sec. again.
5. Press "  " once for the automatic cleaning programme starts. The motors will turn for 38 seconds.
6. Press "  " once to set the delay time can be selected in sequential order 5 minutes.

## CLEANING

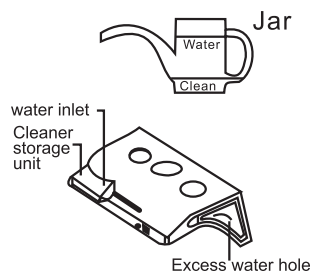
### One Touch Automatic Cleaning Programme :

#### A. Functions:

1. The cookerhood shall be cleaned by using the special cookerhood cleaner available in the market. After the cleaner is mixed with water (ratio 1:5), the cleaner mixture shall be poured into the cleaner storage unit and stored in the cookerhood for cleaning later. The cleaning process works on the centrifugal force and cleaning power generated by revolving the motors at high speed, It keeps the inside of the cookerhood clean and prolongs the life of the cookerhood.

#### B. Operating Instructions:

1. Mix the cleaner and water by pouring water and the cleaner to the marked level of the provided jar. ( cleaner,water ratio → 1:5)  
(As:all Purpose 409 cleaner)
2. Pour the cleaner mixture in the jar into the hidden cleaner storage unit of the cookerhood through the water hole as shown in the picture. The volume of the cleaner storage unit is identical to the volume of the jar.
3. If cleaner mixture comes out from the excess water hole down into the oil retainer, it means the cleaner storage unit is full and no more cleaner mixture shall be poured into the unit.
4. Press the “Auto Clean” Button to start the motors and the cleaner will be discharged automatically and cleans the inside of the cookerhood.
5. The oil retainer shall be taken out to remove the dirty oil once the dirty oil reaches to prevent spillage the marked line.

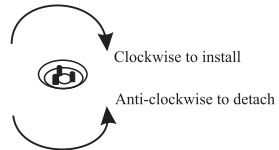
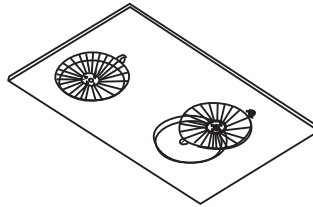


#### C. Precautions

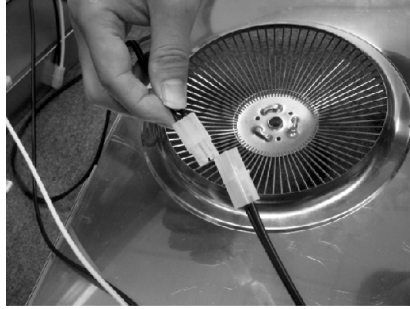
1. Only special cookerhood cleaner available in the market shall be used.  
(As All Purpose 409 cleaner)
2. Follow the water and cleaner mixture ratio marked on the supplied jar (ratio 1:5).
3. Consumers are advised to clean the cookerhood once a day. It may be cleaned less frequently according to individual needs.
4. When filling the cookerhood with the cleaner mixture, use only the special jar provided with the cookerhood and take precautions not to overfill the cleaner storage unit.
5. Check the oil retainer during the cleaning process to prevent oil spillage. Do not allow dirty oil to exceed the marked level.
6. Do not put any other substances into the cleaner compartment unit as this will cause blockage of its injection hole.
7. The cleaner storage unit and the supplied jar are of identical size. The cleaner mixture stored can be used for 5 to 6 times. The cleaner storage unit may be refilled by diluted cleaner mixture every time after use. To prevent overfilling, excess cleaner mixture will be discharged into the oil retainer automatically.

## MAINTENANCE

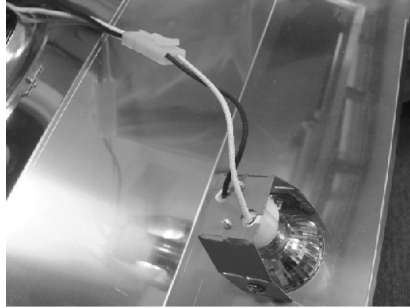
1. Always disconnect from power supply before cleaning.
2. Clean both exterior and interior of the hood long lasting. Do not use abrasive cleanser.
3. Fan protection grille can be detached for cleaning by removing the screws with a screwdriver. It must be reinstalled after clean.
4. On retainers on the grille can also be detached for cleaning by turning the retainer in anti-clockwise direction and reinstall at clockwise direction.
5. The oil cup in the centre of the hood for holding grease can be detached and cleaned regularly.
6. Make a habit to turn on the hood before the stove to avoid high heat in the kitchen.



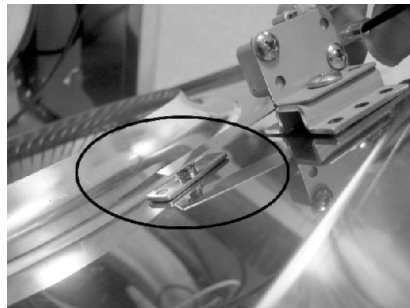
## INSTALL SNAP-LOCK WIRE CONNECTOR



1. First, connect two joints



2. Connect finished, like picture



3. Fix the screw to start the snap-lock wire connector.

---

## OTHERS

1. Repair service including replacement of main cord should only be carried out by manufacturer, its service agent or a qualified technician. It is danger for anyone other than the above mentioned people to perform repair service.
2. Hazardous smoke/fume generated from burning Towngas/L.P. gas or/and cooking must be discharged outside the kitchen through the exhaust pipe.
3. Air ventilation inside kitchen must be maintained in good condition when range hood is using.
4. It is danger if cleaning is not carried out in accordance with the instructions specified In this user manual.
5. Do not directly flame the range hood.
6. During installation, power supply must be disconnected

## 安裝守則

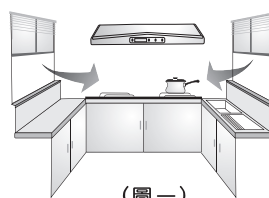
### 安裝前檢查

附件:說明書、保證書、油杯兩個、風管配件。

性能:接上電源檢查照明及摩打、開關是否正常。

### 周圍環境 (圖一)

抽油煙機安裝位置，如在窗上或附近有太多門窗，請在開動抽油煙機前，先關閉門窗，以免空氣對流大而影響吸力，因當油煙上昇未至25公分之有效吸力範圍，則無法充分發揮抽油煙效果。



(圖一)  
門窗太多、對流太大

### 安裝高度 (圖二)

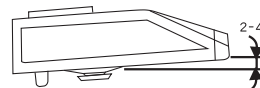
抽油煙機安裝高度，自本機底板至瓦斯爐面之距離以65~75cm為最理想。



(圖二)

### 機體應保持水平 (圖三)

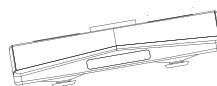
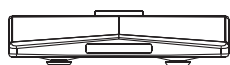
機體應保持前、後、左、右水平，以免氣流箱，導油盆積油而溢出。左、右水平可由掛碼調整，前、後水平則由鋼釘螺絲鎖緊牆壁，以固定標準。



(圖三)

### 排風管

排風管必須配合本機出風管接頭之直徑(6吋)及盡量避免太多彎位。

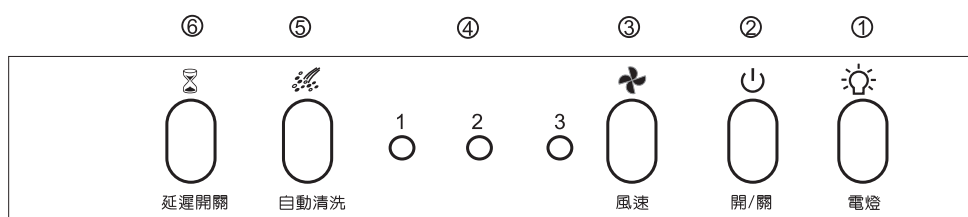







※安裝前先以強力膠注入風管圈後將風管嵌入，再用封膠封住風管圈，以避免清潔劑泡沫流出。

## 功能簡介

### 一、功能簡介:

- 1、38秒自動清洗功能，清洗甩淨一次完成。
- 2、三段式風速調整，煮食更方便。
- 3、照明燈二段式選擇。
- 4、定時延遲關機功能、排煙效果更完美。
- 5、連續30小時未清洗提示功能。
- 6、自動清洗超過2次倒水提示功能。



1. “” 為電燈開關，每按一次順序為：一段(最亮)>二段(淡燈)>關燈。
2. “” 為電源總開關。
3. “” 風速開關，1、2、3、速循環操作。
4. LED指示燈：
  - A.轉速指示燈:指示1、2、3、速時的運轉。
  - B.低水位提示燈:3個燈全亮時,表示儲水箱內清洗劑已用完，需補加清洗劑，並清洗油杯。
  - C.30小時清洗提示:本機如運轉超過30小時未使用自動清洗時，3個燈會同時閃爍，提醒需操作自動清洗動作，防止機箱內油污屯積過多。
  - D.當清洗達到2次，則3個LED燈全亮，表示滿水須倒水。倒完水按自動清洗鍵2秒取消警示並重新計數。
5. “” 為自動清洗按鍵:執行自動清洗程式，38秒完成。
6. “” 5分鐘延遲關機鍵。

## 自動清洗功能說明

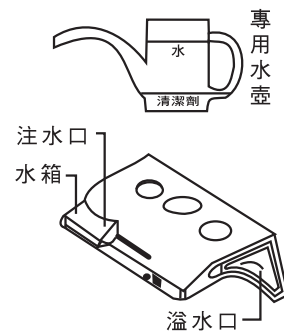
### 四、一按自動清洗功能說明

#### A. 功能說明：

1. 本機利用市售廚房專用的除油清潔劑與水混合後(比例1:5)注入機器內水箱備用，利用摩打高速運轉時之離心力及衝擊力，達到清洗內部的功能，可永保抽油煙機內部清潔，延長抽油煙機使用壽命。

#### B. 操作說明：

1. 使用專用水壺，先加入清潔劑到指定分量，再倒入清水混合。(比例約 清潔劑：水 1:5)
2. 將水壺從機器之注入口倒入清潔劑，抽油煙機內有隱藏式水箱，容量與水杯相同。
3. 當溢水孔溢出清潔劑時即表示水位已滿，應停止再注清潔劑入水壺中。
4. 按“自動清洗”擊即啓動摩打，機器自動噴出清潔劑，清洗機器內部。
5. 當油杯水位到警戒線時，即應取下倒去油污，以防外溢。

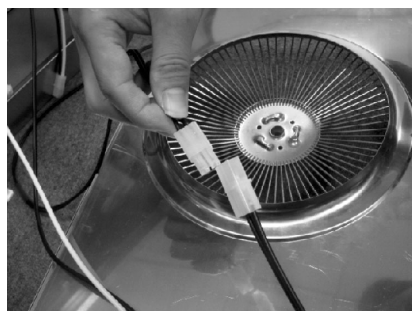


#### C. 注意事項及警告標示：

1. 請使用市售之廚房專用除油清潔劑。(意見提供：多用途409 擦淨劑)
2. 請按照隨機附有的水壺上指示添加清潔劑與水(比例 1:5)。
3. 建議消費者最多每日清洗抽油煙機一次即可，亦同按需要減少清洗次數以節省清潔劑。
4. 注入清潔劑時，請用隨機附上的水壺，小心倒進水箱，勿使清潔劑溢出機外。
5. 清洗時請注意，勿使油污超過油杯警戒線，以防油污溢出。
6. 請謹防異物流入水箱中，以防止噴水孔堵住。
7. 水壺份量與內水箱相同，均可用5~6次，可於每次用畢後，再重新倒進新清潔稀釋液，以防過滿。如內水箱過滿，水會自動排出機外直落盛油杯。
8. 此型號據有自動清洗提示功能，如抽油煙機使用時間超過30小時，高速及低速掣中間的提示燈便會閃動，表示此機極需進行自動清洗。



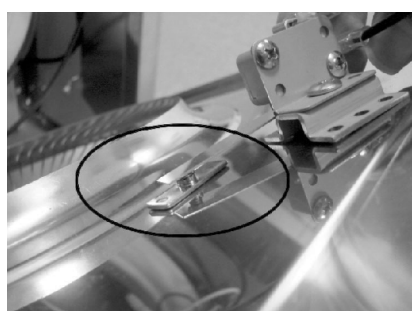
## 安裝微動開關



1. 首先連接兩邊的接頭。



2. 連接完成,像圖片所示。



3. 將螺絲鎖到底固定,即可啓動微動開關。

## 保養與清潔

### 五、保養和清潔

1. 清潔前，務必要切斷電源；
2. 定期清潔抽油煙機的內外側，可以保持抽油煙機壽命，切勿使用研磨性清潔劑。
3. 用螺絲刀拆卸螺絲，可拆卸風扇保護網清潔。完成後，必須重新裝回原位。
4. 按逆時針方向旋轉，可拆卸附在保護網的摩打盛油器清潔。完成後，按順時針方向旋轉，即可重新裝回原位。
5. 抽油煙機中央的盛油杯可拆卸作定期清潔。
6. 在開啓煮食爐前，請先開啓抽油煙機，以免廚房溫度過高。

